

AQUAIR RANGE

Heat Interface Units

TECHNICAL DATA & FAULT FINDING



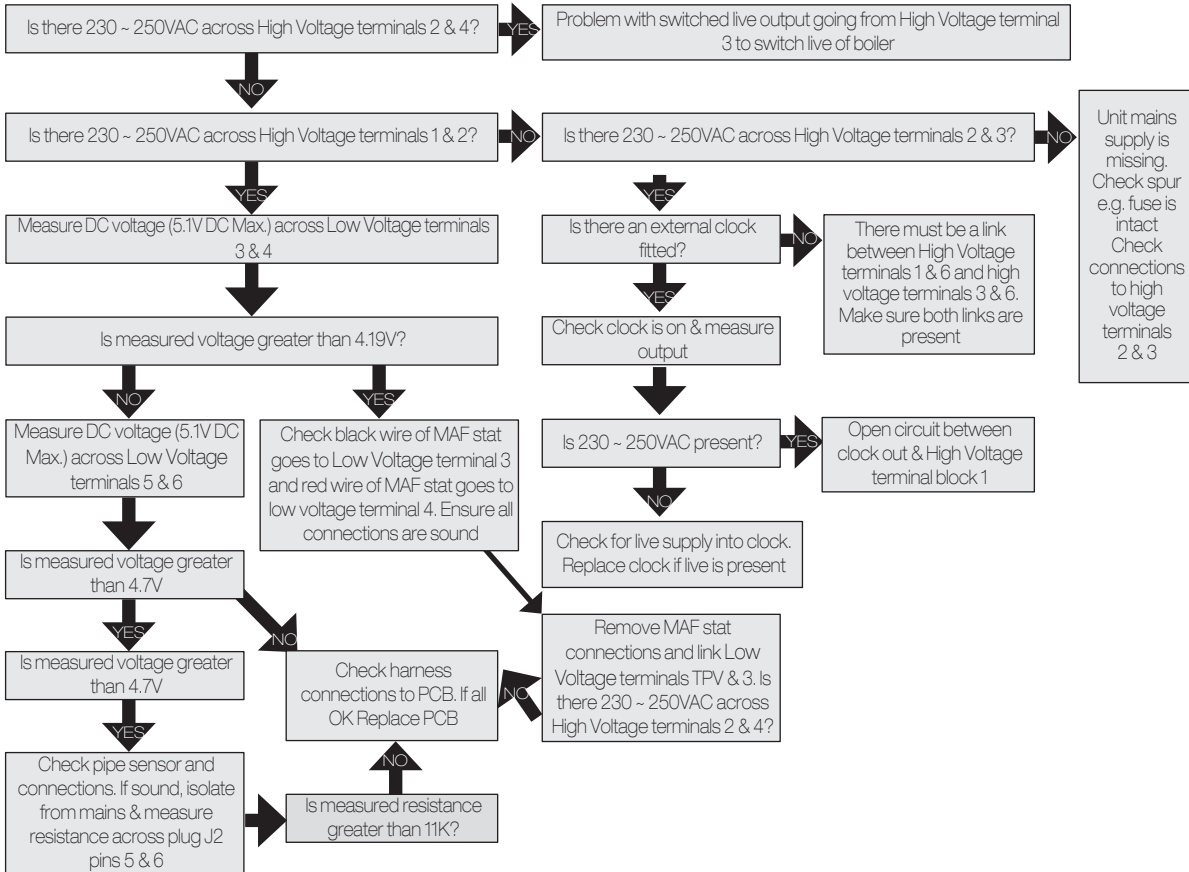
FM 525200



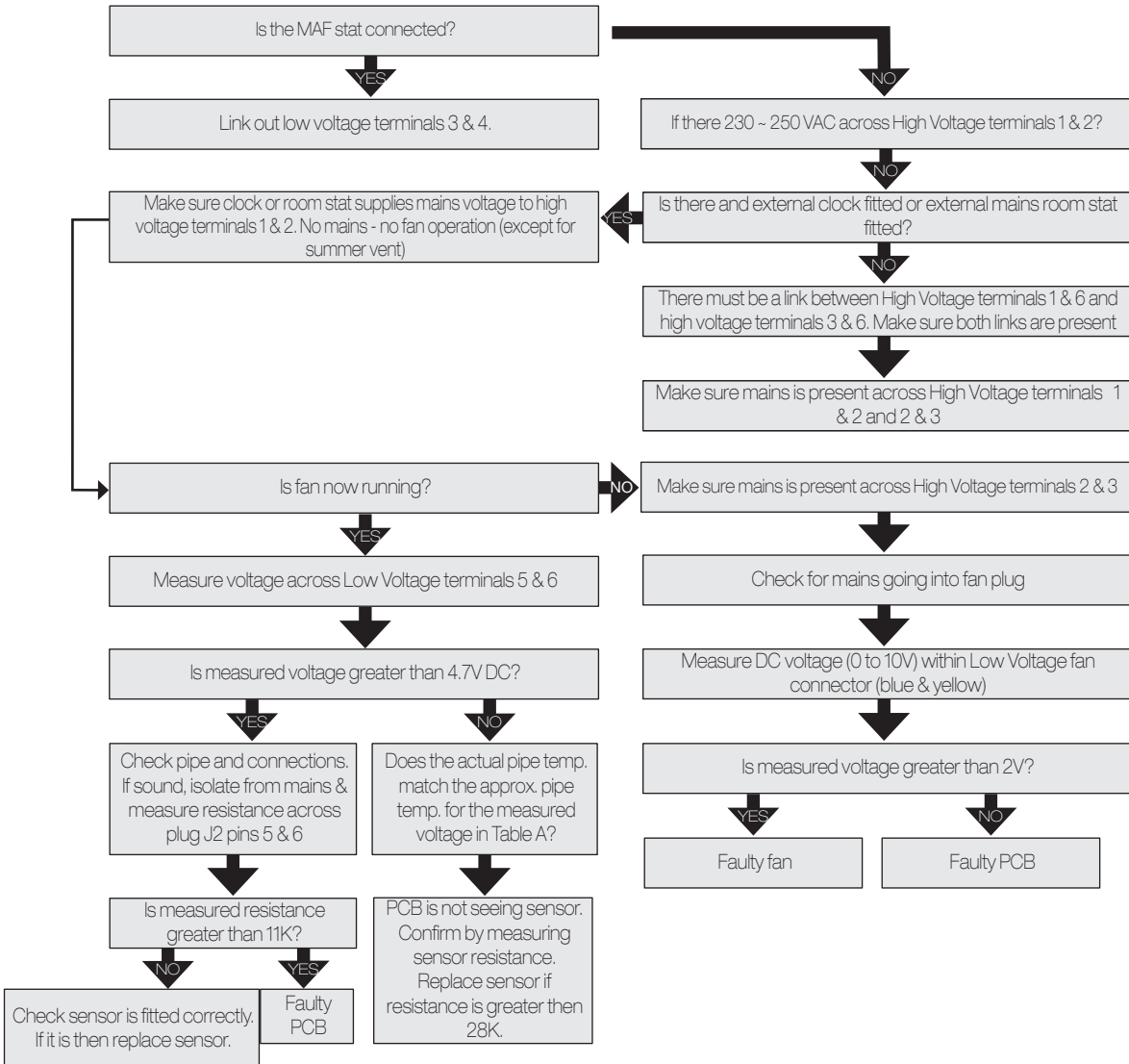
Johnson
& Starley

Johnson & Starley Ltd
Rhosili Road
Brackmills, Northampton
NN4 7LZ

MAF STAT CONNECTED NOT CALLING FOR HEAT (BOILER NOT FIRING) WHEN MAF STAT ON MAXIMUM



FAN NOT OPERATING WHEN PIPE IS ABOVE 60°C



DC VOLTAGE ACROSS PIPE SENSOR	APPROX. PIPE TEMP. °C	DC VOLTAGE ACROSS PIPE SENSOR	APPROX. PIPE TEMP. °C	DC VOLTAGE ACROSS PIPE SENSOR	APPROX. PIPE TEMP. °C	DC VOLTAGE ACROSS PIPE SENSOR	APPROX. PIPE TEMP. °C
3.24	10	2.13	33	1.26	56	0.73	79
3.19	11	2.08	34	1.23	57	0.71	80
3.14	12	2.04	35	1.20	58	0.70	81
3.09	13	1.99	36	1.17	59	0.68	82
3.04	14	1.95	37	1.15	60	0.66	83
2.99	15	1.91	38	1.12	61	0.65	84
2.94	16	1.87	39	1.09	62	0.63	85
2.89	17	1.83	40	1.07	63	0.63	86
2.84	18	1.79	41	1.04	64	0.60	87
2.79	19	1.75	42	1.02	65	0.59	88
2.75	20	1.71	43	0.99	66	0.58	89
2.70	21	1.67	44	0.97	67	0.56	90
2.65	22	1.63	45	0.95	68	0.55	91
2.60	23	1.59	46	0.92	69	0.54	92
2.55	24	1.56	47	0.90	70	0.53	93
2.50	25	1.52	48	0.88	71	0.51	94
2.45	26	1.49	49	0.86	72	0.50	95
2.40	27	1.45	50	0.84	73	0.49	96
2.36	28	1.42	51	0.82	74	0.48	97
2.31	29	1.39	52	0.80	75	0.47	98
2.26	30	1.35	53	0.78	76	0.46	99
2.22	31	1.32	54	0.76	77	0.45	100
2.17	32	1.29	55	0.75	78		

TABLE A

12. CIRCUIT DIAGRAM

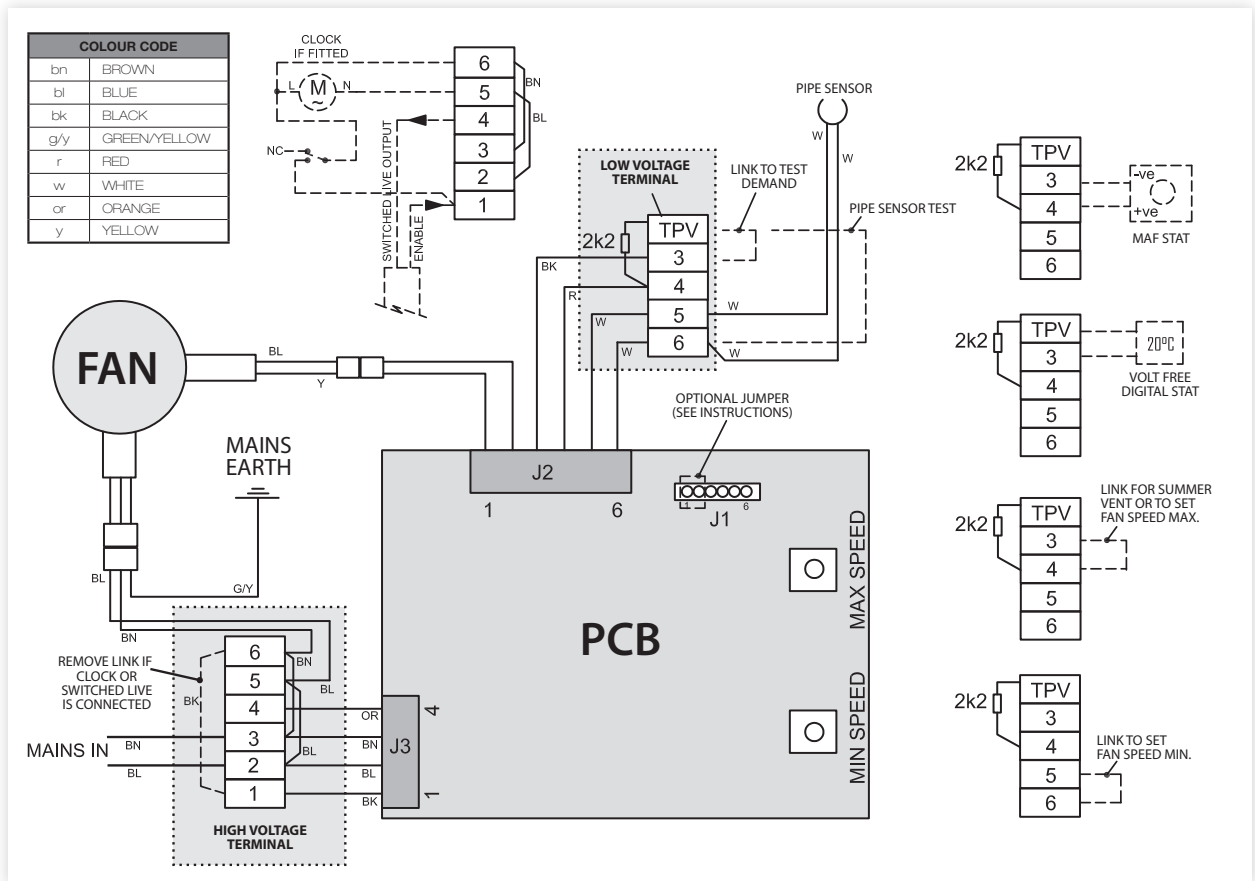


FIGURE 4. AQUAIR S CIRCUIT DIAGRAM



sustainable solutions
under one roof

Johnson & Starley Ltd
Rhosili Road, Brackmills,
Northampton NN4 7LZ

sales@johnsonandstarley.co.uk
marketing@johnsonandstarley.co.uk

Reception/Customer Service
01604 762881

Fax
01604 767408

